

**MODEL****TP**

## SAMPLING VALVE

The TP sampling valve is used to get representative samples from pipe lines or tanks where occasional sampling of 0-8% consistency fluids is required or for calibration of continuous measuring transmitters. The valve seat design avoids any possibility of build-up. The valve opens into the pipeline.

The body comes in two pieces, body and flange fitting, in order to facilitate installation. The flange fitting is welded to the pipe and flanged to the valve body. Discharge end of the valve has a friendly design. It is prepared for the installation of a flexible 1 1/4" rubber pipe and includes a bucket hanger.

### Options:

- Flush port
- Pneumatic actuator

### Size:

DN 25/40 mm

### Applications:

DN 25 for consistency 0-5%

DN 40 for consistency > 3% - 5% in case of high reject content or long fiber pulp (without flush connection)

DN 40 for consistency > 5% up to 8% (with flush connection)

### Working pressure:

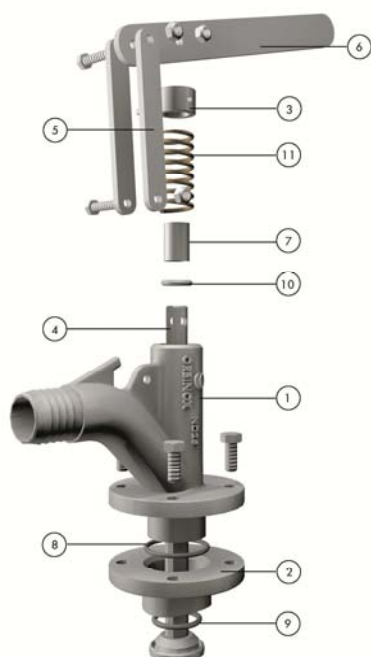
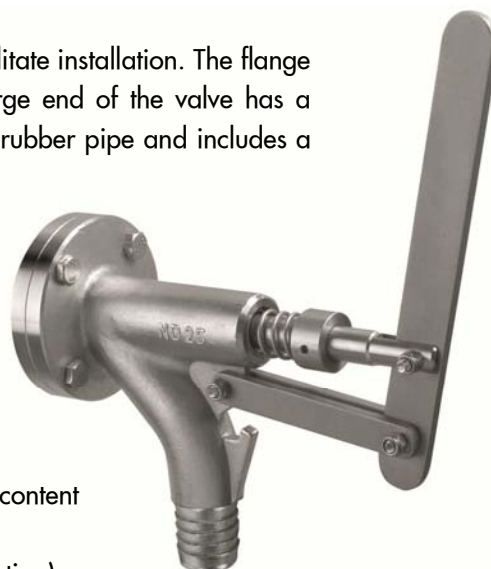
10 bar

### Directives:

2006/42/CE (MACHINES)

2014/68/EU (PED) Fluid: Group 1(b), 2 (Cat. I, mod. A)

2014/34/EU (ATEX)



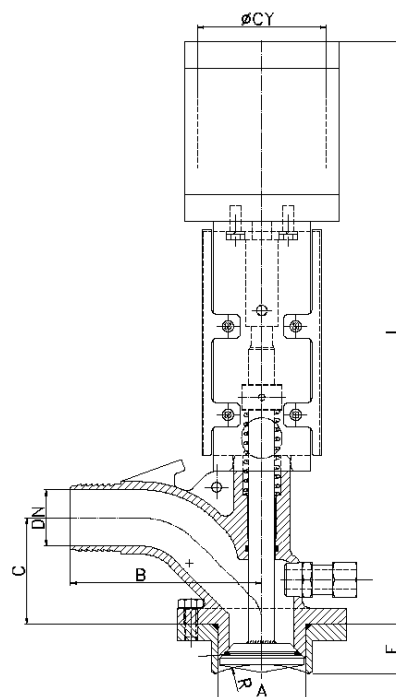
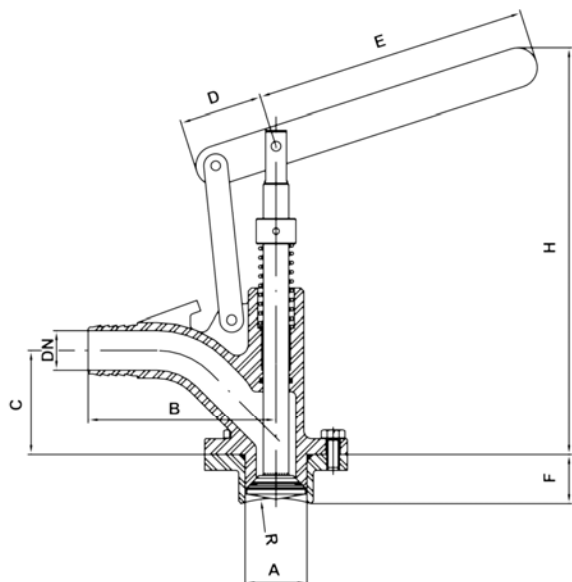
### STANDARD PARTS LIST

#### Components:

#### Material:

Components:	Material:
1. Body	CF8M (1.4408)
2. Flange fitting	CF8M (1.4408)
3. Bush	AISI 304 (1.4301)
4. Shaft	AISI316 (1.4404)
5. Lever	AISI 304 (1.4301)
6. Lever	AISI 304 (1.4301)
7. Bearing	Glacier DU
8. O-Ring	Nitrile
9. O-Ring	Nitrile
10. O-Ring	Nitrile
11. Spring	AISI 302 (1.4310)
12. Bolts&Nuts	A2

**MODEL****TP**

  
**ORBINOX**
  
VALVE SOLUTIONS IN MORE THAN 70 COUNTRIES
**SAMPLING VALVE**

DN	A	B	C	D	E	F	H	R	ØCY *	I
25	39	118,5	66	52,5	172,5	31	256,5	75	63	357
40	54	118,5	66	52,5	172,5	31	257,5	75	80	362

\* Actuator designed with 6 kg/cm<sup>2</sup> air supply.

